



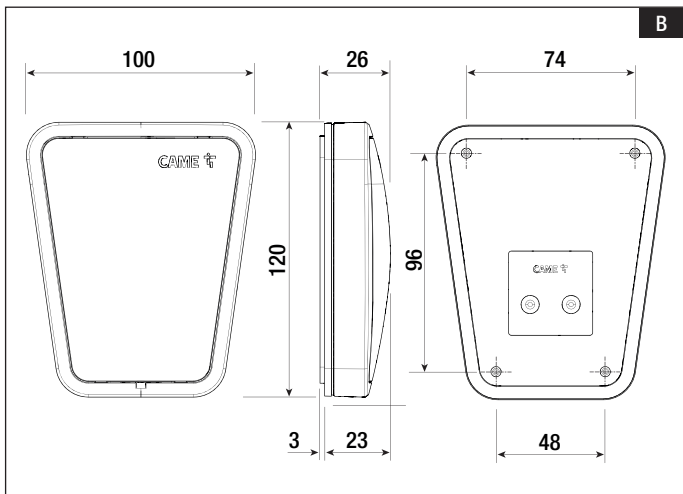
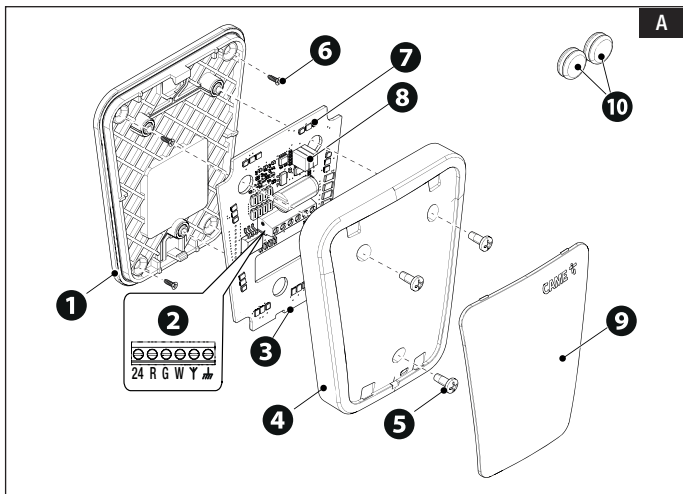
FA01893M4A

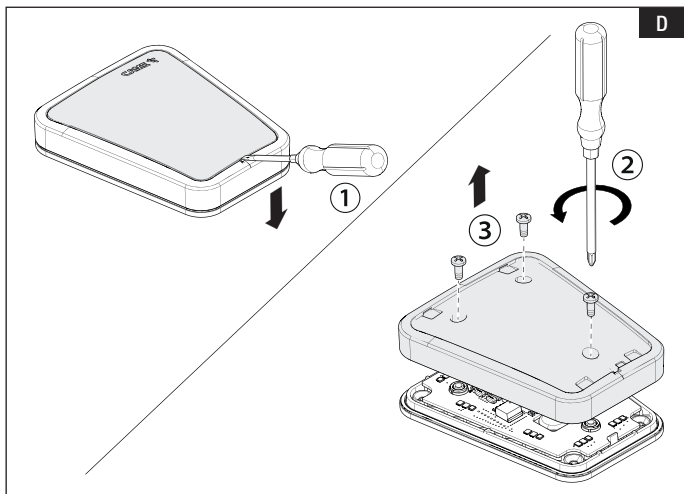
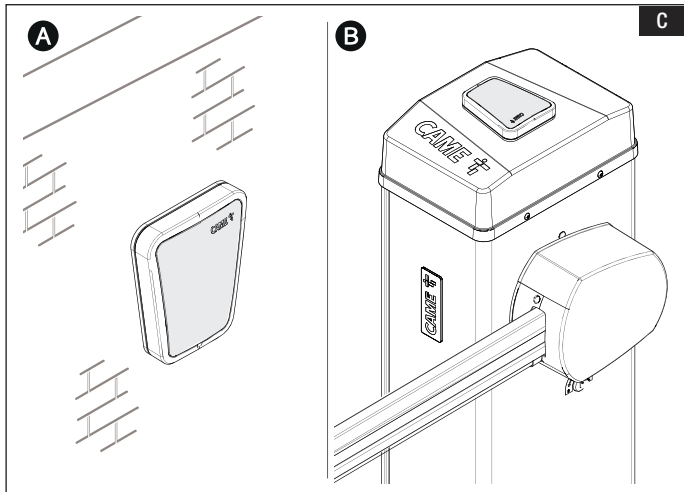
CE

EAC

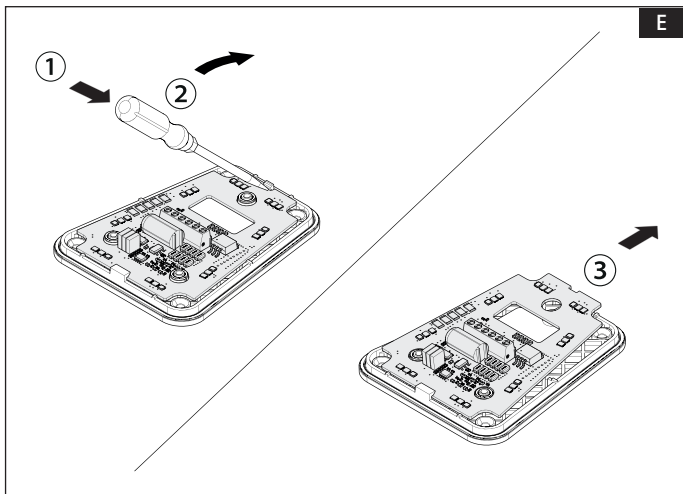


806LA-0060

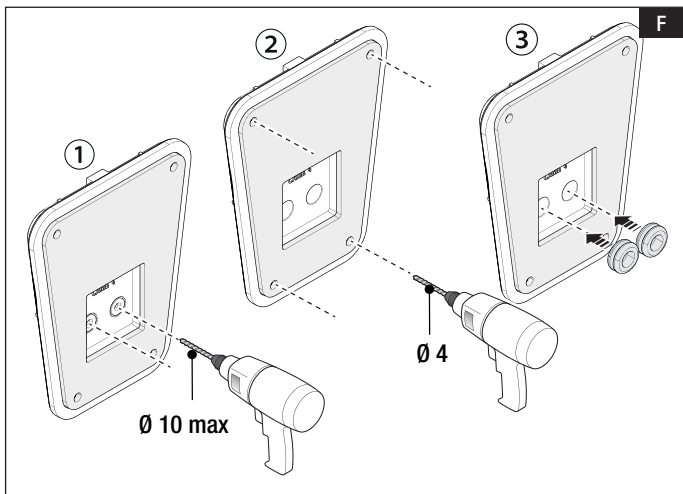




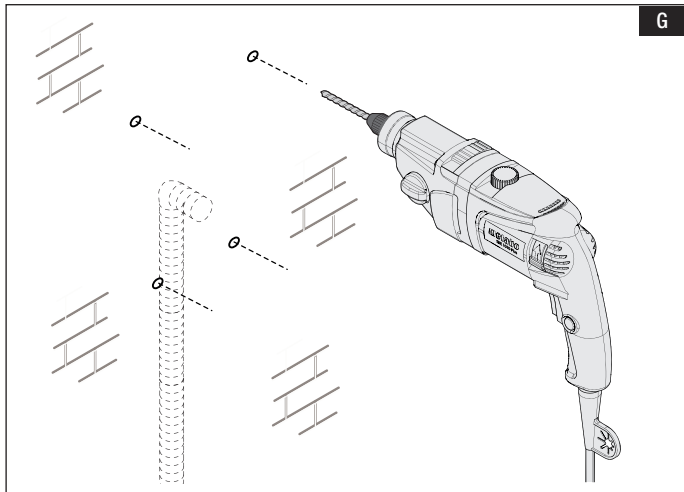
E



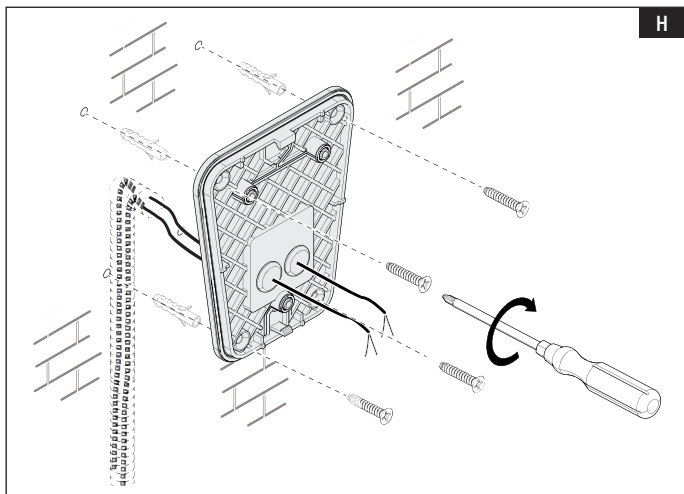
F

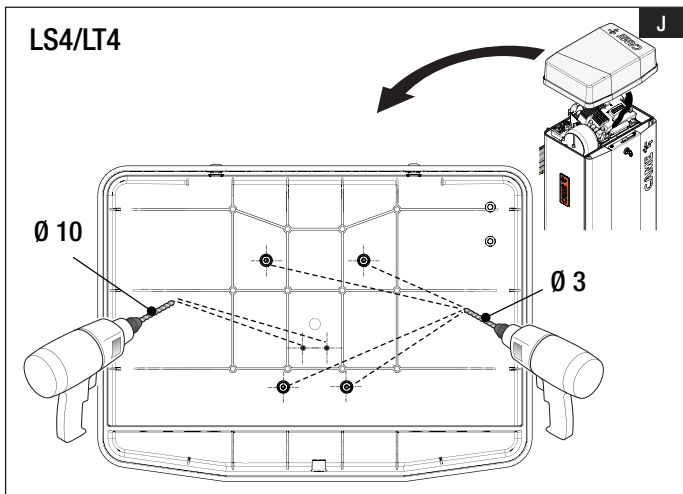
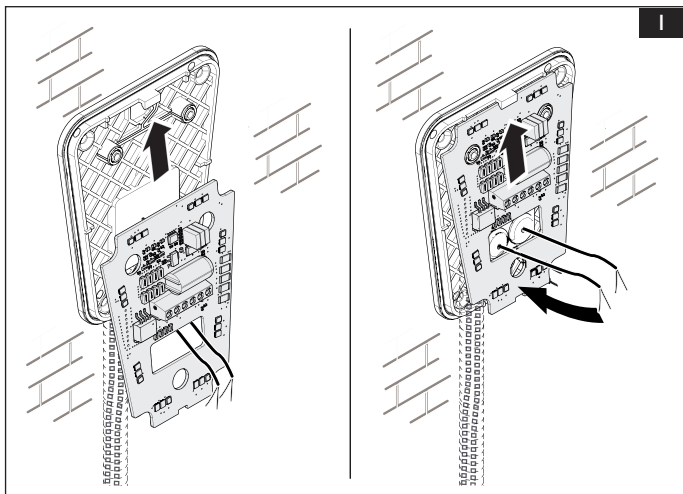


G



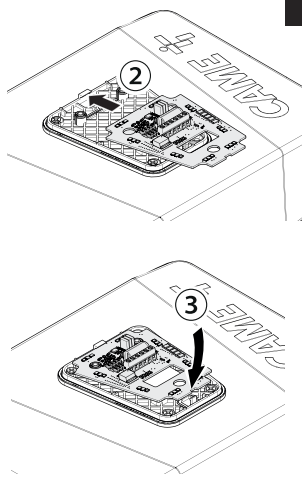
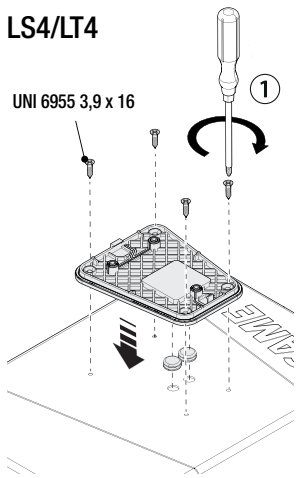
H





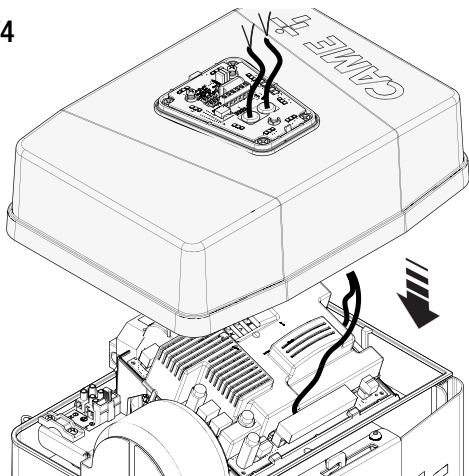
LS4/LT4

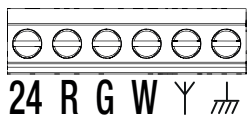
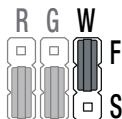
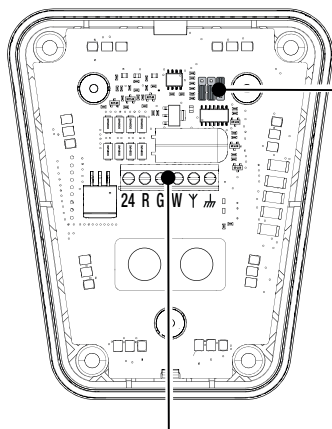
UNI 6955 3,9 x 16



K

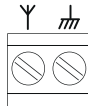
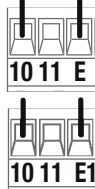
LS4/LT4

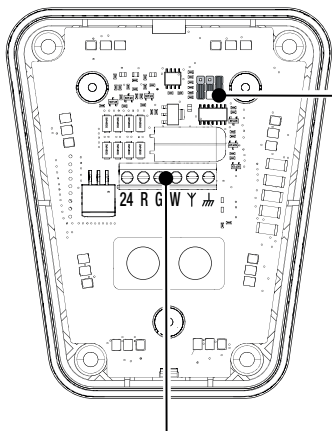




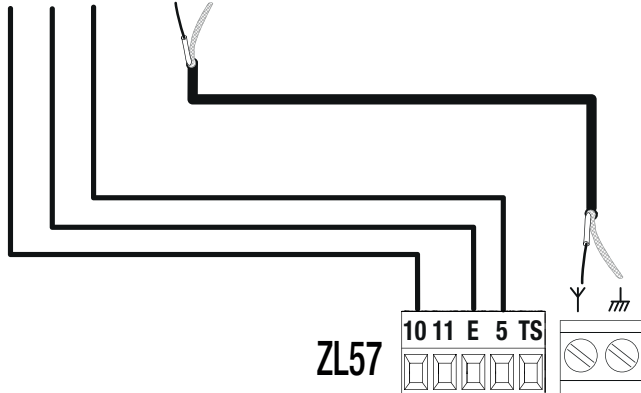
CONTROL PANEL

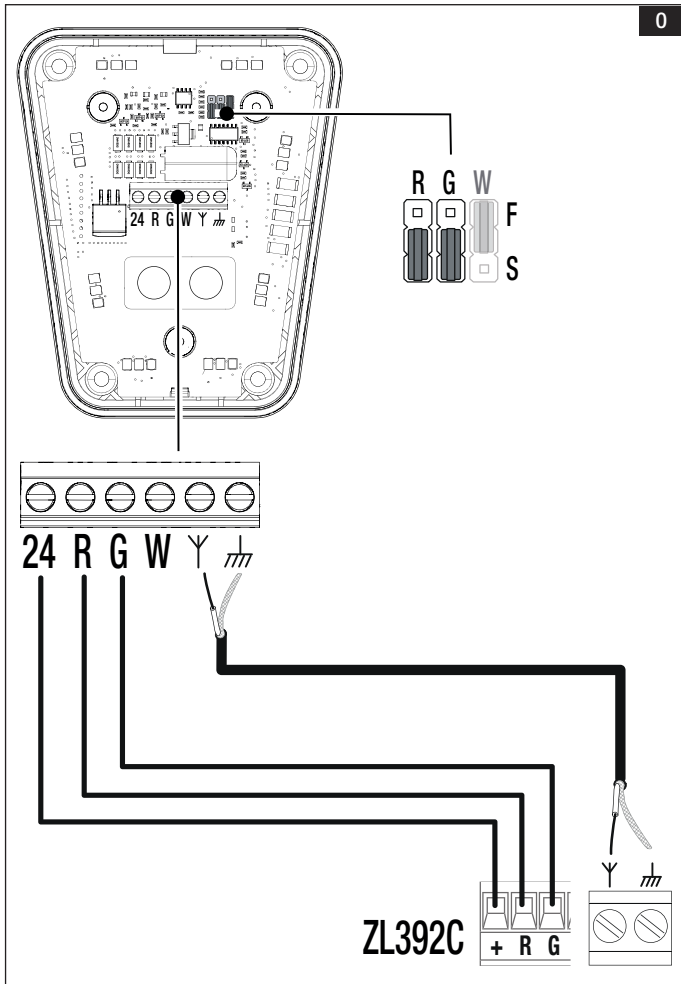
ZL392C

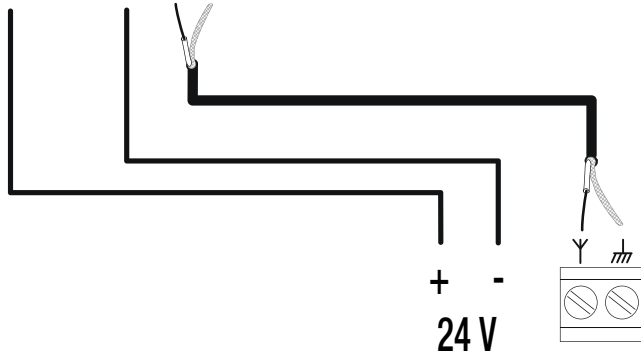
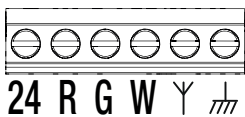
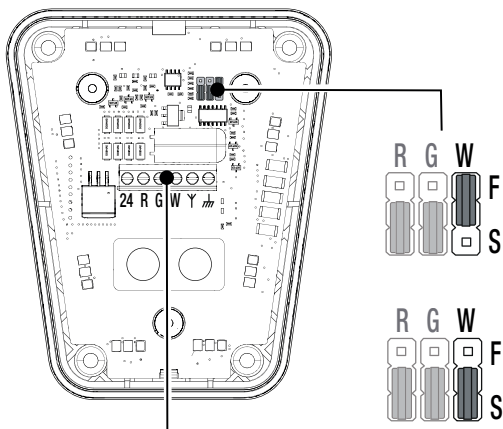




24 R G W Y Υ \perp

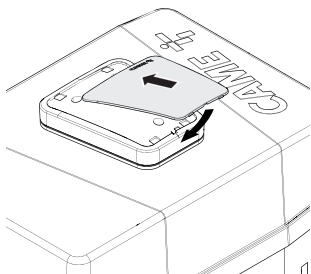
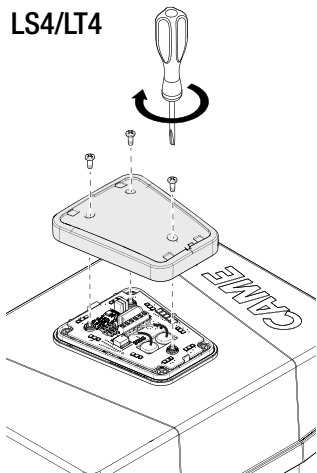




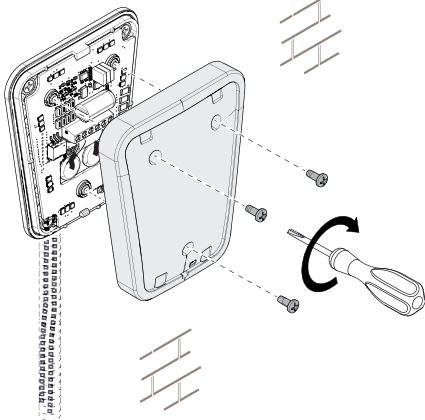


LS4/LT4

Q



R



General precautions for installers

Read the instructions carefully before beginning the installation and carry out the procedures as specified by the manufacturer. • Installation, programming, commissioning and maintenance must only be carried out by qualified, expert technicians and in full compliance with the applicable law. • Before carrying out any cleaning or maintenance, or replacing any parts, disconnect the device from the power supply. • Only use this product for its intended purpose. Any other use is hazardous. • The manufacturer cannot be held liable for any damage caused by improper, unreasonable or erroneous use. • The product, in its original packaging supplied by the manufacturer, must only be transported in a closed environment (railway carriage, containers, closed vehicles). • If the product malfunctions, stop using it and contact customer services at <https://www.came.com/global/en/contact-us> or via the telephone number on the website. • The manufacture date is provided in the production batch printed on the product label. If necessary, contact us at <https://www.came.com/global/en/contact-us>. • The general conditions of sale are given in the official CAME price lists.

Dismantling and disposal

Dispose of the packaging and the device responsibly at the end of its life cycle, in compliance with the laws in force in the country where the product is used. The recyclable components are marked with the material symbol and ID.

THE DATA AND INFORMATION IN THIS MANUAL MAY BE CHANGED AT ANY TIME AND WITHOUT NOTICE.

MEASUREMENTS ARE IN MILLIMETRES, UNLESS STATED OTHERWISE.

Description


KLT1FDSW - Traffic light flashing beacon with white, red and green LEDs, 24 V.

Technical data

MODELS	KLT1FDSW
Power supply (V - 50/60 Hz)	24 AC/DC
Power (W)	3
Operating temperature (°C)	-20 ÷ +55
Protection rating (IP)	54
Frequency (MHz)	433 and 868
Storage temperature (°C)*	-25 ÷ +70
Average life (hours)**	100000


(*) Before installing the product, keep it at room temperature where it has previously been stored or transported at a very high or very low temperature.

(**) The average product life is a purely indicative estimate. It applies to compliant usage, installation and maintenance conditions. It is also influenced by other factors, such as climatic and environmental conditions.

 **The frequency 868 MHz is not available for the Russian market.**

Description of parts **A**

- 1** Beacon base
- 2** Terminal block

(24)	(R)	(G)	(W)	(Y) 
Power supply (+)	Red	Green	White	Antenna

- 3** Control board with built-in antenna
- 4** Flashing beacon
- 5** Self-threading screws 3.9 x 9.5
- 6** Screws UNI6955 3.9 x 16
- 7** White, red and green LEDs
- 8** Jumper for setting flashing mode
- 9** Cover
- 10** Rubber plugs

Size **B**

Installation examples **C**

- A** Wall-mounted
- B** Fastened to barrier cover (LS4 / LT4)

Installation

Remove the cover, casing and board from the beacon base. **D E**

Drill the holes in the beacon base as shown for the wiring and for attaching the unit.

Insert the rubber plugs. **F**

Wall-mounted

 Ensure the wall is perfectly smooth to maintain the IP54 device rating.

Drill the fastening points. **G**

Thread the power supply cable and antenna cable (where applicable) through the rubber plugs.

Attach the base using screws and plugs (not supplied). **H**

Insert the control board. **I**

Fastened to barrier cover (LS4 / LT4)

Drill the holes in the barrier cover as shown for the wiring and for attaching the unit. **J**

Fasten the beacon base to the cover using the self-tapping screws provided.


Insert the control board. **K**

Thread the power supply cable and antenna cable (where applicable) through the rubber plugs.

Position and fix the cover on top of the unit. **L**

Connections and settings

 Use a FROR cable 2 x 0.5 mm, maximum length 50 m from the control panel.

 the flashing beacon control board is equipped with an antenna. To use it, connect it to the relevant terminal on the control panel using cable RG58 (max. 10 metres. Cable not supplied).

W jumper settings

F - Flashing

The flashing beacon flashes automatically when the board is powered up.

S - Stable

The beacon follows the trend of the power supply from the panel. It remains on when the panel supplies steady power and flashes when the panel supplies intermittent power.

Operators and barriers (LT4)


Connect terminals 24-W on the flashing beacon to terminals 10-E/E1 on the control panel.


Set the jumper (W) as shown in figure. This is so that the LEDs will flash independently when the control panel is powered up.

Up-and-over models (VER PLUS)

Connect terminals 24-R-G on the beacon to terminals 10-E-5 on the control panel.

Set the jumpers (R) and (G) as shown in the figure.

 The beacon can be configured in traffic light or GGR mode by setting the F18 function parameter on the control panel.

 **The F10 function is automatically disabled.**

Function	F18 function parameter	LED	Door status
Traffic light	F18=3	Red flashing	Door moving
		Green on	Door open
GGR	F18 = 4	Flashing green	Door opening
		Green on	Door open
		Red flashing	Door closing

 **The beacon only works on VER PLUS gearmotor control boards version 1.8.0 or later. Update the board firmware if necessary.**

Barriers (LS4)

Connect terminals 24-R-G on the beacon to terminals +-R-G on the control panel.


Set the jumpers (R) and (G) as shown in the figure.

General connections **P**

Power the beacon at 24 V using terminals 24-W.
Position the jumper according to the type of power supply.

Final operations **R Q**

Fix the casing in place using the screws supplied.

 Before fastening the casing, check that the cable inlets are sealed to stop insects getting inside and to prevent damp.

Attach the cover to the casing.