

## Gearmotor for swing gates

FA01337-EN

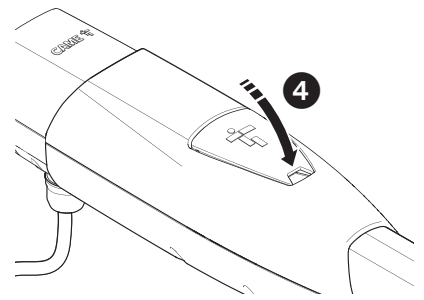
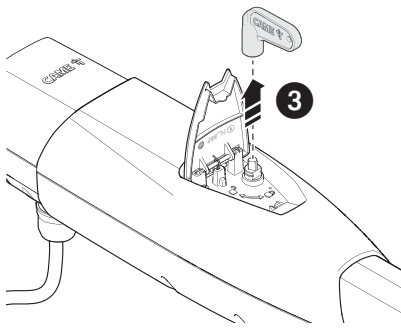
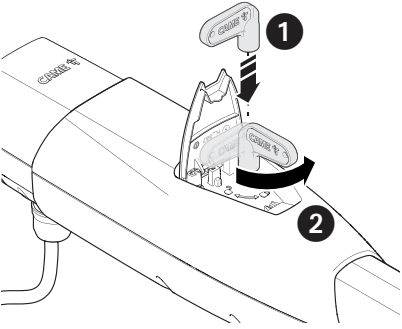
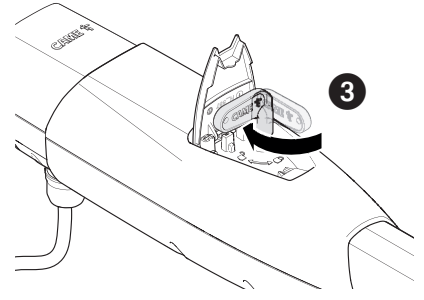
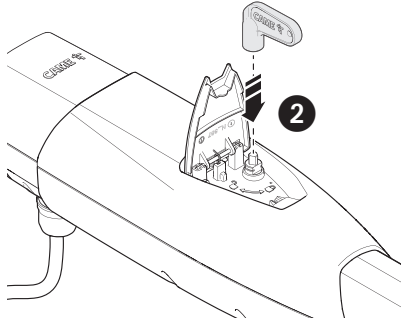
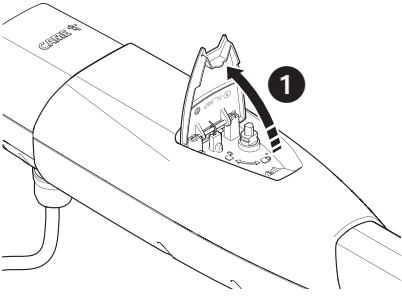


**ATS30AGS**  
**ATS30AGR**

**ATS50AGS**  
**ATS50AGR**

INSTALLATION MANUAL

EN English



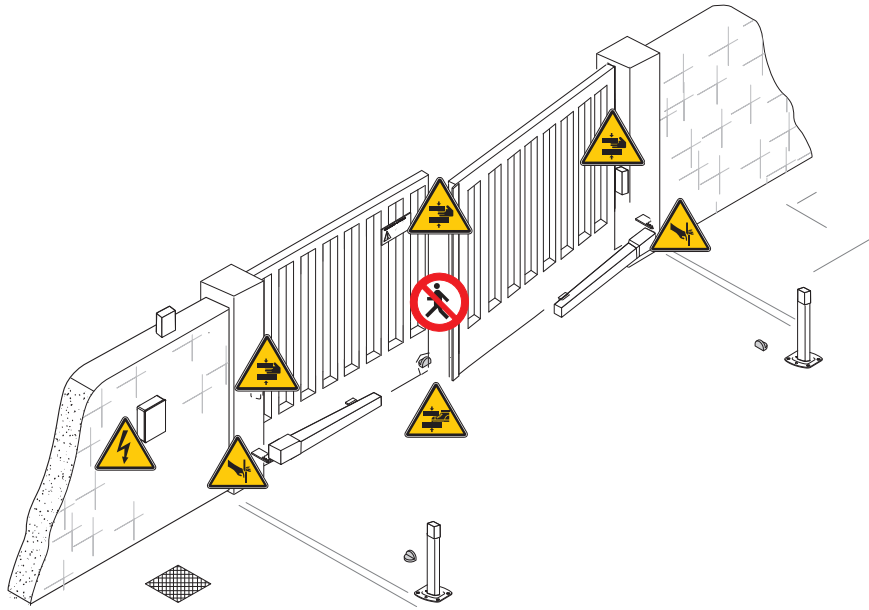
**⚠ Important safety instructions.**

**⚠ Please follow all of these instructions. Improper installation may cause serious bodily harm.**


**⚠ Before continuing, please also read the general precautions for users.**

Only use this product for its intended purpose. Any other use is hazardous. • The manufacturer cannot be held liable for any damage caused by improper, unreasonable or erroneous use. • This product is defined by the Machinery Directive (2006/42/EC) as partly completed machinery. • Partly completed machinery means an assembly which is almost machinery but which cannot in itself perform a specific application. • Partly completed machinery is only intended to be incorporated into or assembled with other machinery or other partly completed machinery or equipment thereby forming machinery to which the Machinery Directive (2006/42/EC) applies. • The final installation must comply with the Machinery Directive (2006/42/EC) and the European reference standards in force. • The manufacturer declines any liability for using non-original products, which would also void the warranty. • All operations indicated in this manual must be carried out exclusively by skilled and qualified personnel and in full compliance with the regulations in force. • The device must be installed, wired, connected and tested according to good professional practice, in compliance with the standards and laws in force. • All the components (e.g. actuators, photocells and sensitive edges) needed for the final installation to comply with the Machinery Directive (2006/42/EC) and with the reference harmonised technical standards are specified in the general CAME product catalogue or on the website [www.came.com](http://www.came.com). • Make sure the mains power supply is disconnected during all installation procedures. • Check that the temperature ranges given are suitable for the installation site. • Do not install the operator on surfaces that could yield and bend. If necessary, add suitable reinforcements to the anchoring points. • Make sure that no direct jets of water can wet the product at the installation site (sprinklers, water cleaners, etc.). • Make sure you have set up a suitable dual-pole cut-off device along the power supply that is compliant with the installation rules. It should completely cut off the power supply according to category III surcharge conditions. • Demarcate the entire site properly to prevent unauthorised personnel from entering, especially minors. • In case of manual handling, have one person for every 20 kg that needs hoisting; for non-manual handling, use proper hoisting equipment in safe conditions. • Use suitable protection to prevent any mechanical hazards due to persons loitering within the operating range of the operator. • The electrical cables must pass through special pipes, ducts and cable glands in order to guarantee adequate protection against mechanical damage. • The electrical cables must not touch any parts that may overheat during use (such as the motor and transformer). • Before installation, check that the guided part is in good mechanical condition, and that it opens and closes correctly. • The product cannot be used to automate any guided part that includes a pedestrian gate, unless it can only be enabled when the pedestrian gate is secured. • Make sure that nobody can become trapped between the guided and fixed parts, when the guided part is set in motion. • All fixed controls must be clearly visible after installation, in a position that allows the guided part to be directly visible, but far away from moving parts. In the case of a hold-to-run control, this must be installed at a minimum height of 1.5 m from the ground and must not be accessible to the public. • If not already present, apply a permanent tag that describes how to use the manual release mechanism close to it. • Make sure that the operator has been properly adjusted and that the safety and protection devices and the manual release are working properly. • Before handing over to the final user, check that the system complies with the harmonised standards and the essential requirements of the Machinery Directive (2006/42/EC). • Any residual risks must be indicated clearly with proper signage affixed in visible areas, and explained to end users. • Put the machine's ID plate in a visible place when the installation is complete. • If the power-supply cable is damaged, it must be immediately replaced by the manufacturer or by an authorised technical assistance centre, or in any case, by qualified staff, to prevent any risk. • Keep this manual inside the technical folder along with the manuals of all the other devices used for your automation system. • Make sure to hand over to the end user all the operating manuals of the products that make up the final machinery.


## Main points of danger for people



 No transiting while the barrier is moving.


 Risk of entrapment.

 Risk of trapping hands.

 Risk of trapping feet.

 Risk of hand cut.

## DISMANTLING AND DISPOSAL

 CAME S.p.A. employs an Environmental Management System at its premises. This system is certified and compliant with the UNI EN ISO 14001 standard to ensure that the environment is respected and safeguarded. Please continue safeguarding the environment. At CAME we consider it one of the fundamentals of our operating and market strategies. Simply follow these brief disposal guidelines:

### DISPOSING OF THE PACKAGING

The packaging materials (cardboard, plastic, etc.) can be disposed of easily as solid urban waste, separated for recycling.

Before dismantling and disposing of the product, please always check the local laws in force.

### DISPOSE OF THE PRODUCT RESPONSIBLY

### DISPOSING OF THE PRODUCT

Our products are made of various materials. Most of these materials (aluminium, plastic, iron and electrical cables) are classified as solid urban waste. They can be separated for recycling and disposed of at authorised waste treatment plants.

Other components (electronic boards, transmitter batteries, etc.) may contain pollutants.

These must be removed and disposed of by an authorised waste disposal and recycling firm.





It is always advisable to check the specific laws that apply in your area.

### DISPOSE OF THE PRODUCT RESPONSIBLY

## PRODUCT DATA AND INFORMATION

### Key





---

-  This symbol shows which parts to read carefully.
-  This symbol shows which parts describe safety issues.
-  This symbol shows what to tell users.
-  The measurements, unless otherwise stated, are in millimetres.

## PRODUCT DATA AND INFORMATION

### Key

---

-  This symbol shows which parts to read carefully.
-  This symbol shows which parts describe safety issues.
-  This symbol shows what to tell users.
-  The measurements, unless otherwise stated, are in millimetres.

### Description

---

#### 801MP-0050

ATS30AGS - Irreversible telescopic gearmotor 230 V for swing gates with Max. C 200 mm with leaf up to 3 m and 400 kg. Grey RAL7024.

#### 801MP-0060

ATS50AGS - Irreversible telescopic gearmotor 230 V for swing gates with Max. C 200 mm with leaf up to 5 m and 400 kg. Grey RAL7024.

#### 801MP-0090

ATS30AGR - Irreversible telescopic gearmotor 230 V for swing gates with Max. C 200 mm, with remote release, for leaves up to 3 m and 400 kg. Grey RAL7024.

#### 801MP-0100

ATS50AGR - Irreversible telescopic gearmotor 230 V for swing gates with Max. C 200 mm, with remote release, for leaves up to 5 m and 400 kg. Grey RAL7024.

### Intended use

---

Solutions for applications in residential buildings and apartment blocks

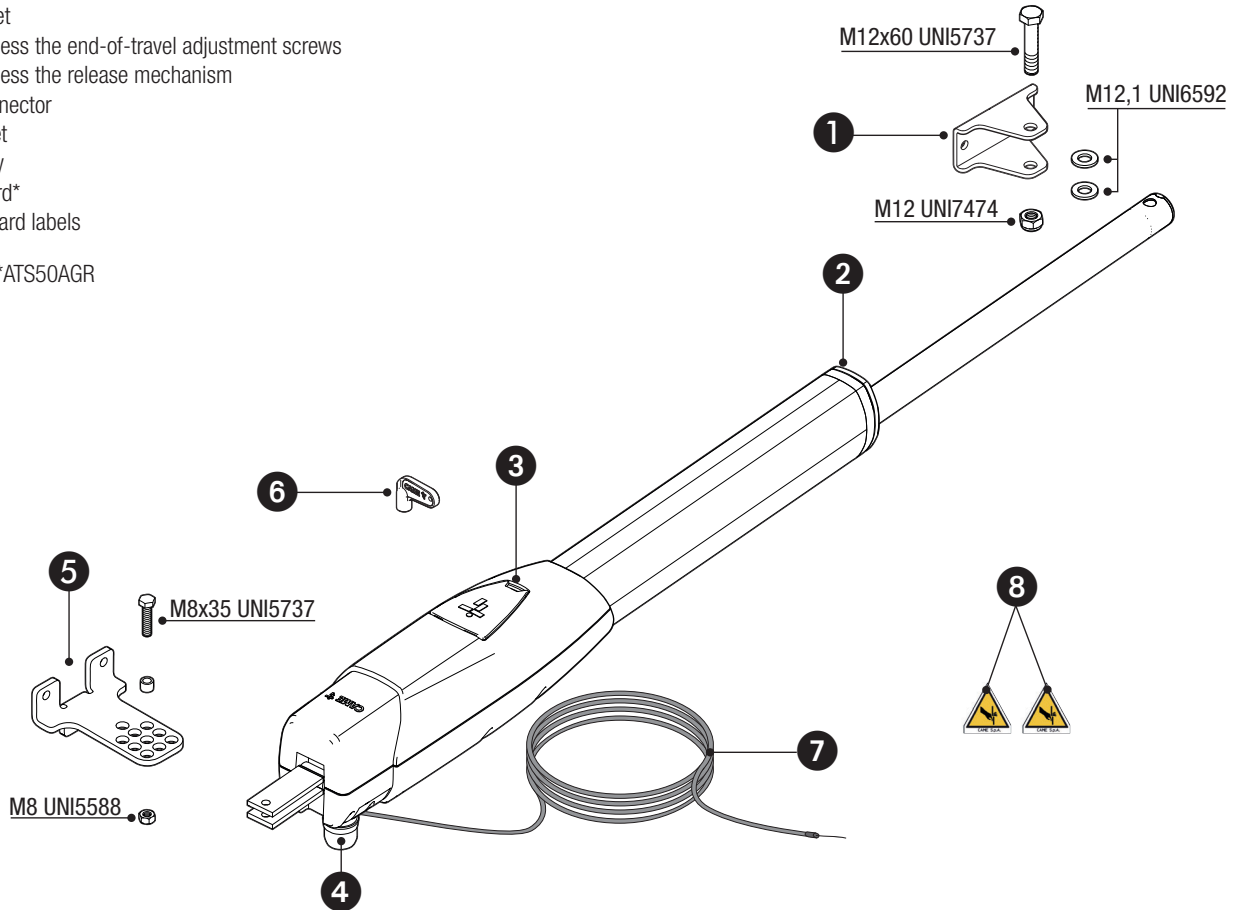
-  Any installation and/or use other than that specified in this manual is forbidden.

## Description of parts

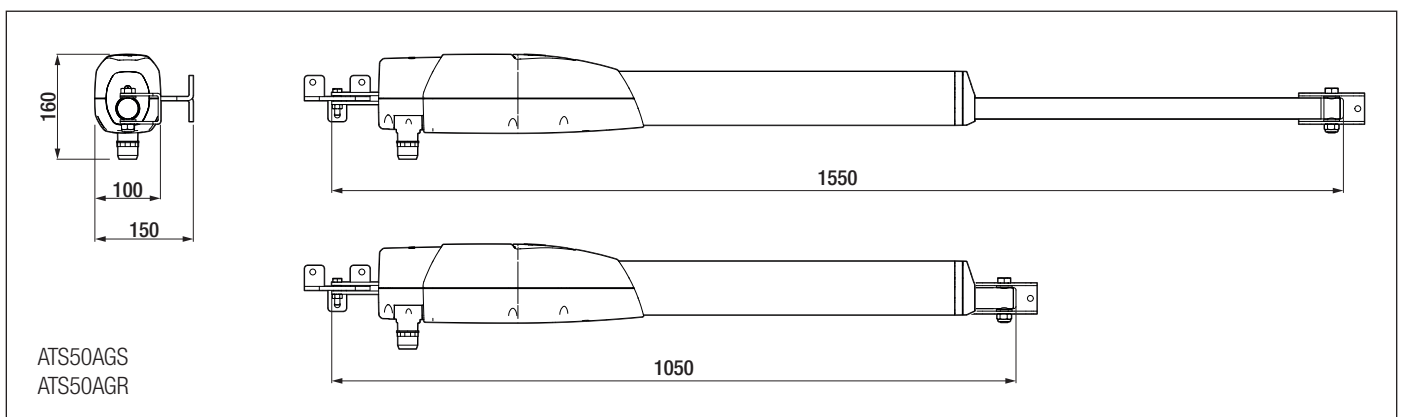
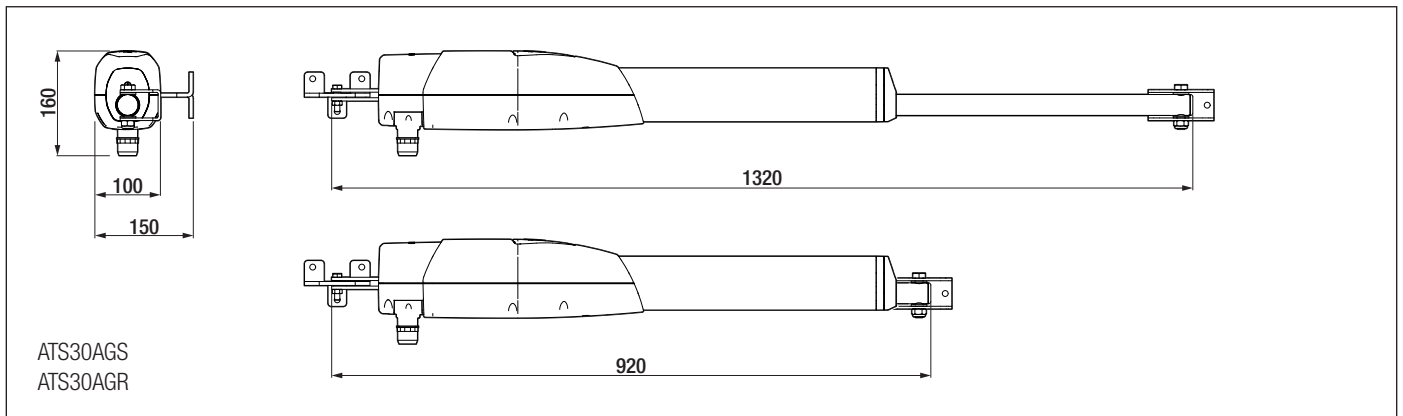
### Gearmotor

- ❶ Gate bracket
- ❷ Door to access the end-of-travel adjustment screws
- ❸ Door to access the release mechanism
- ❹ Sheath connector
- ❺ Post bracket
- ❻ Release key
- ❼ Release cord\*
- ❽ Cutting hazard labels

\*ATS30AGR \*ATS50AGR



### Size



## Usage limitations

MODELS	ATS30AGS					ATS50AGS			
	3	2,5	2	-	5	4	3	2,5	2
Gate-leaf length (m)	3	2,5	2	-	5	4	3	2,5	2
Gate-leaf weight (Kg)	400	600	800	-	400	500	600	800	1000

MODELS	ATS30AGR					ATS50AGR			
	3	2,5	2	-	5	4	3	2,5	2
Gate-leaf length (m)	3	2,5	2	-	5	4	3	2,5	2
Gate-leaf weight (Kg)	400	600	800	-	400	500	600	800	1000

⚠ For leaves longer than 2.5 m, install an electric lock.

## Technical data

MODELS	ATS30AGS	ATS50AGS	ATS30AGR	ATS50AGR
Motor power supply (V)	230 AC	230 AC	230 AC	230 AC
Power (W)	250	250	250	250
Capacitor (µF)	8	8	8	8
Current draw (mA)	1	1	1	1
Operating temperature (°C)	-20 ÷ +55	-20 ÷ +55	-20 ÷ +55	-20 ÷ +55
Thrust (N)	400 ÷ 3000	400 ÷ 3000	400 ÷ 3000	400 ÷ 3000
Opening time at 90° (s)	15	20	15	20
Cycles/hour	20	20	20	20
Sound pressure level (dB A)	≤70	≤70	≤70	≤70
Protection rating (IP)	54	54	54	54
Insulation class	I	I	I	I
Reduction ratio (i)	28	28	28	28
Weight (kg)	8.5	9	8.5	9

## Operating cycles

MODELS	ATS30AGS	ATS50AGS	ATS30AGR	ATS50AGR
Cycles/hour (no.)	20	20	20	20
Consecutive cycles (no.)	10	10	10	10

📖 The cycles calculation applies to gates that are professionally installed, free of any mechanical issues and/or accidental friction points, and measured at 20°C, as stated in EN Standard 60335-2-103.

## Cable types and minimum thicknesses

Cable length (m)	up to 20	from 20 to 30
Power supply 230 V AC	3G x 1.5 mm <sup>2</sup>	3G x 2.5 mm <sup>2</sup>
Motor power supply 230 V AC	4G x 1.5 mm <sup>2</sup>	4G x 2.5 mm <sup>2</sup>

📖 When operating at 230 V and outdoors, use H05RN-F cables compliant with 60245 IEC 57 (IEC); when operating indoors, use H05VV-F cables compliant with 60227 IEC 53 (IEC). For power supplies up to 48 V, you can use FROR 20-22 II cables compliant with EN 50267-2-1 (CEI).

📖 If the cable lengths differ from those specified in the table, define the cable cross-sections according to the actual power draw of the connected devices and in line with regulation CEI EN 60204-1.

📖 For multiple, sequential loads along the same line, recalculate the values in the table according to the actual power draw and distances. For information on connecting products not covered in this manual, please see the documentation accompanying the products themselves.

## INSTALLATION

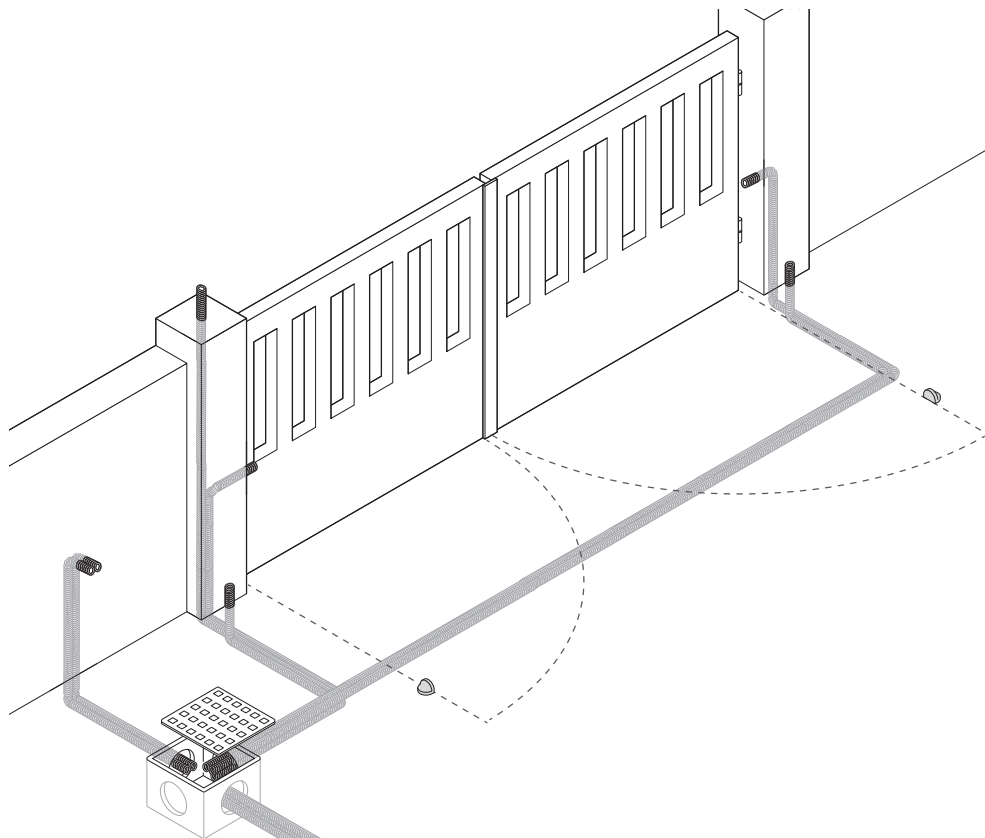
 The following illustrations are examples only. The space available for fitting the operator and accessories varies depending on the area where it is installed. It is up to the installer to find the most suitable solution.

 The drawings refer to a gearmotor installed on the left-hand side.

### Preliminary operations

Prepare the junction boxes and corrugated tubes you need for the connections from the junction pit.

 The number of tubes depends on the type of system and the accessories that are going to be fitted.





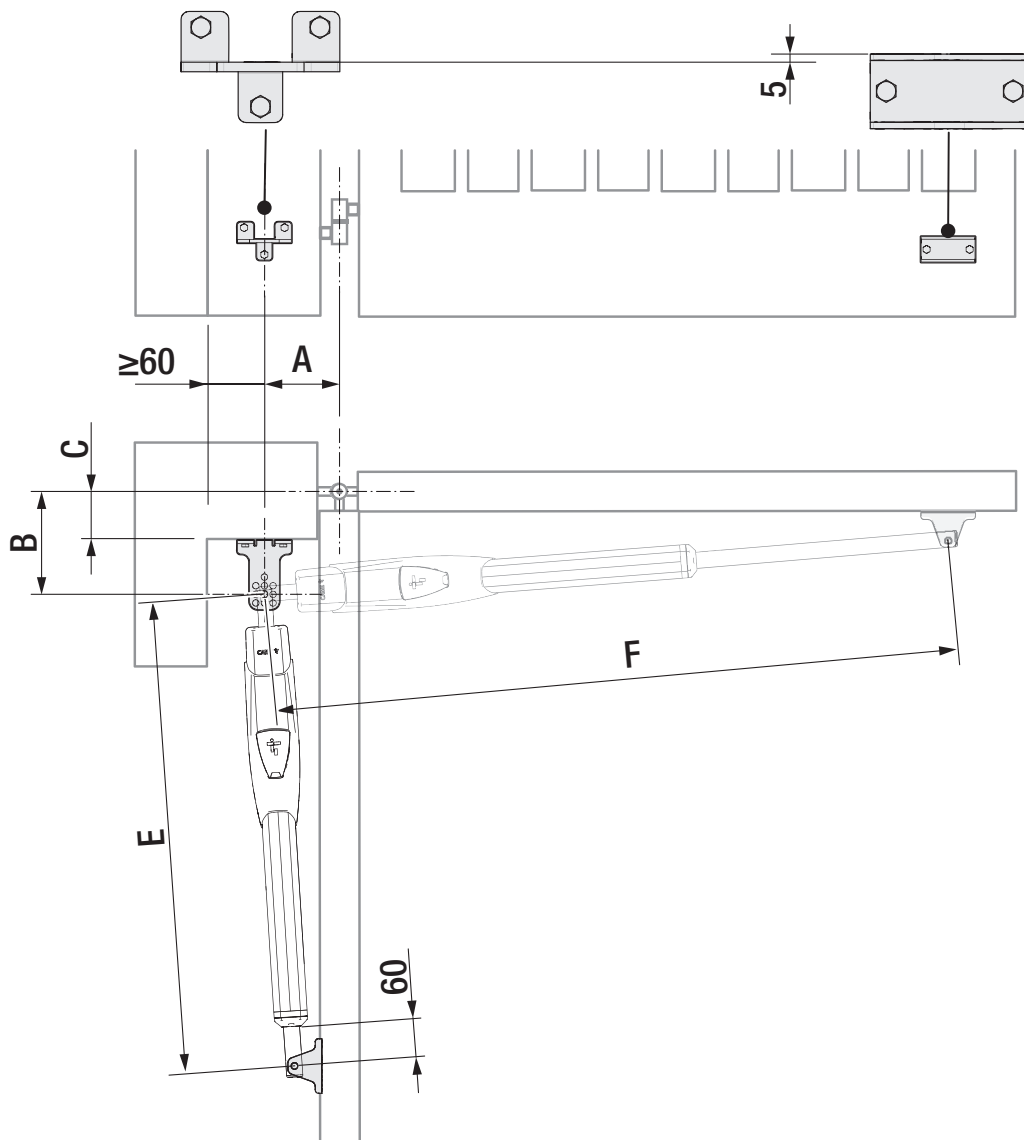
## Establishing the bracket fastening points

⚠ Install with the gate open.

Manually open the gate leaf to 90° or 120°.

First determine where the gate bracket needs to be positioned, then where the post bracket needs to be positioned.

📖 Respect the values indicated in the table.



### ATS30AGS

### ATS30AGR

Gate-leaf opening (°)	A	B	E	F	Max. C
90°	130	130	910	1170	50
90°	150	220	910	1290	150
90°	120	270	890	1300	200
120°	180	130	910	1300	50

### ATS50AGS


### ATS50AGR

Gate-leaf opening (°)	A	B	E	F	Max. C
90°	200	200	1030	1430	150
90°	200	270	1030	1510	200
120°	200	140	1030	1460	70

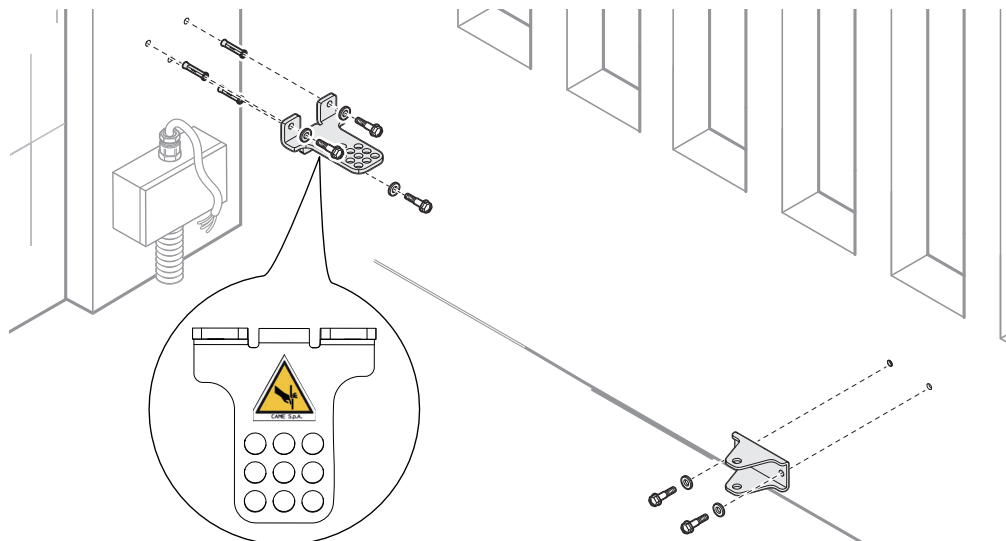
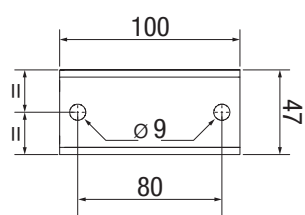
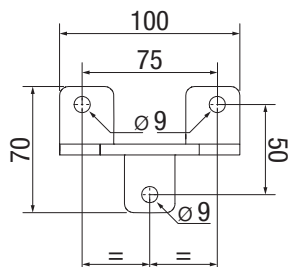
## Fastening the brackets

Secure the post bracket with plugs and screws.


 If the post is made of metal, the post bracket must be welded to it.

 The holes on the bracket fixing plate allow you to vary the opening angle of the gate leaf.

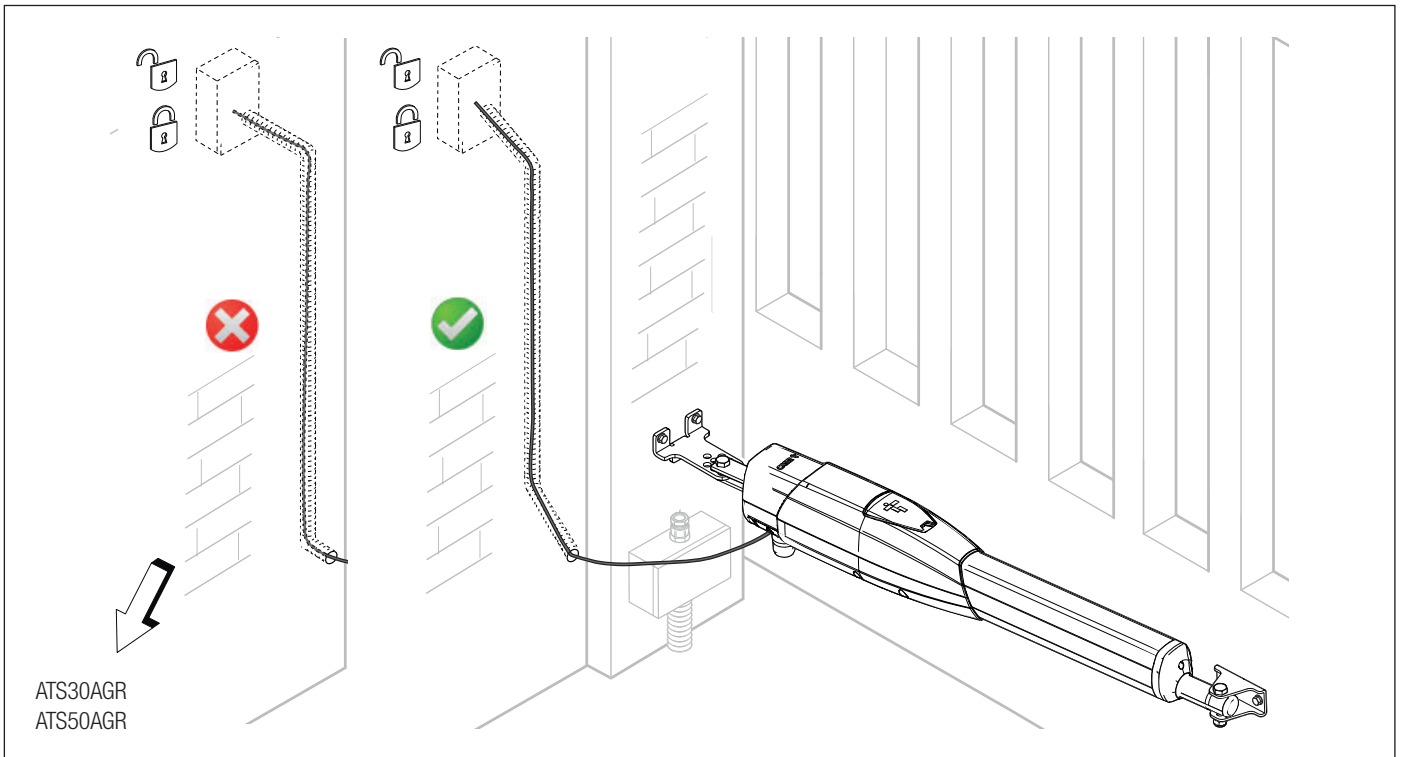
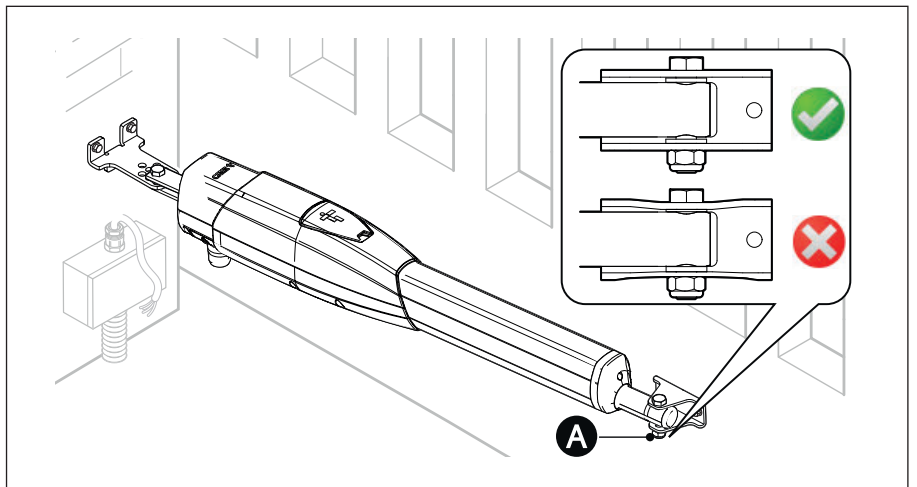
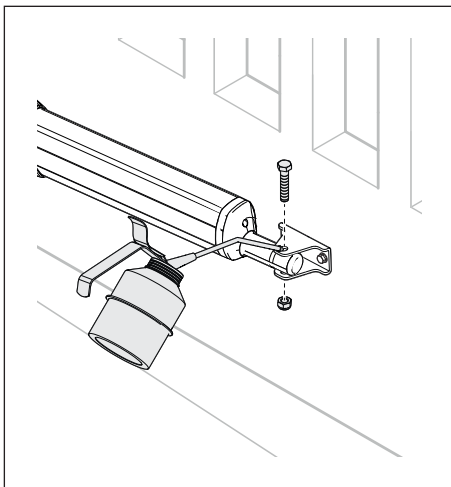
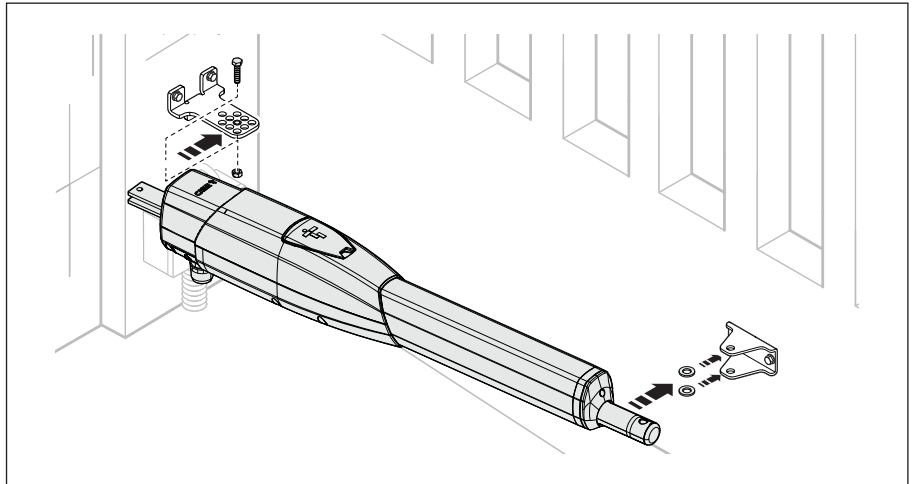
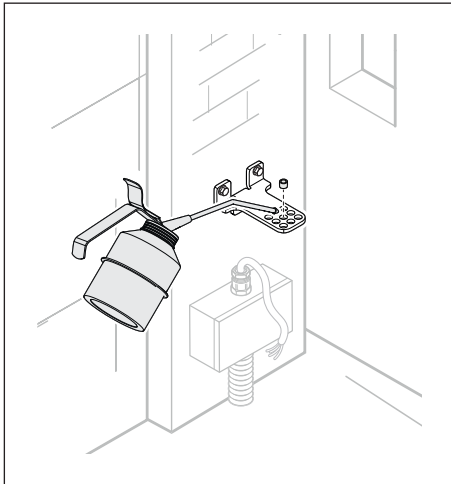
Fasten in place with screws or weld the bracket to the gate.



## Fastening the gearmotor

 Lubricate all moving parts on the operator.

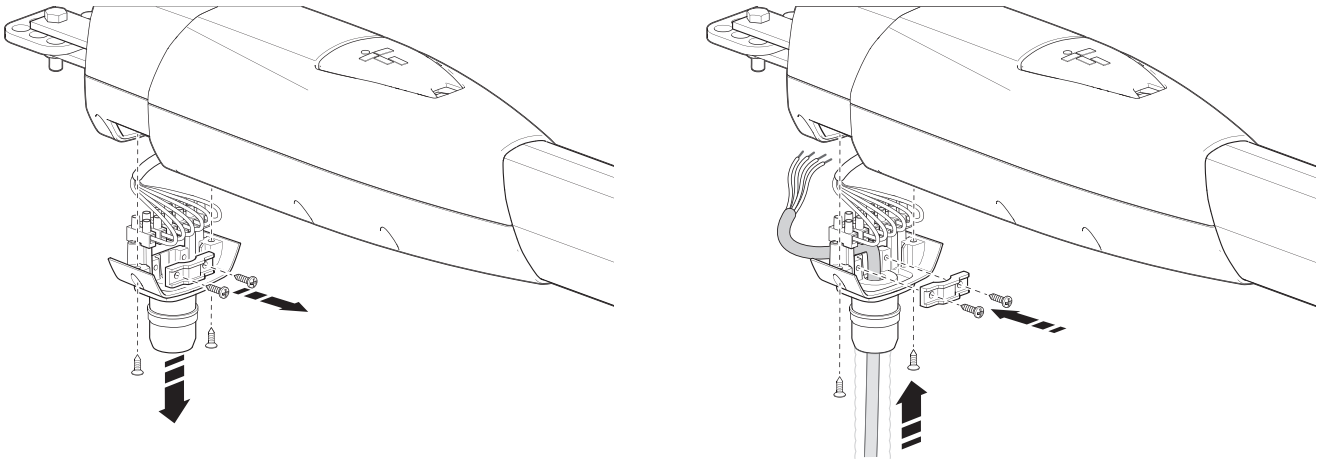
**A** The self-locking nut must be loosely tightened so as not to affect the movement of the telescopic arm with the gate bracket.



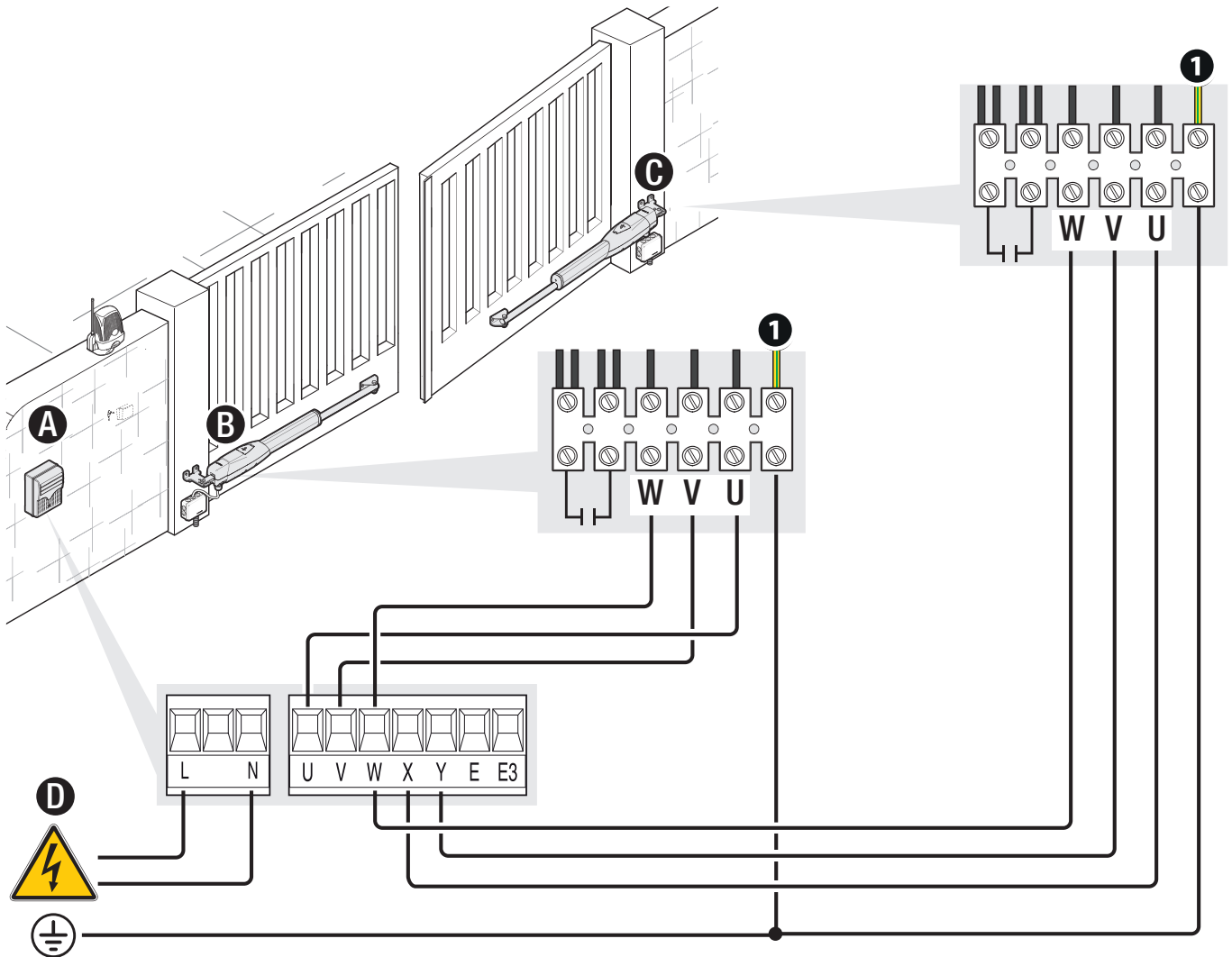
## ELECTRICAL CONNECTIONS

⚠ Before working on the control panel, disconnect the mains power supply and remove the batteries, if any.

📖 Remove the protective cover to access the terminal board.



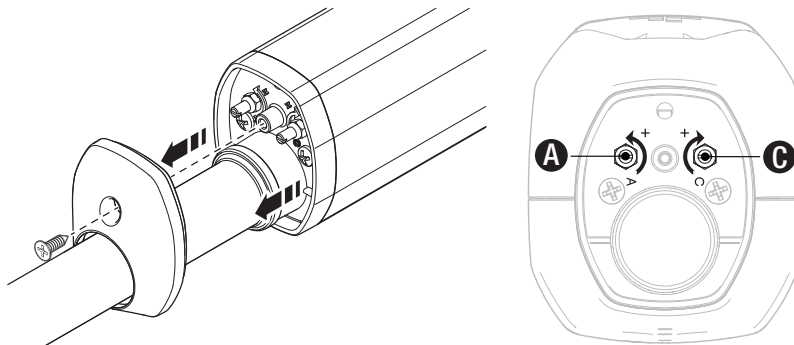
- A** Control panel
- B** Gearmotor delayed while opening
- C** Gearmotor delayed while closing
- D** 230 V AC - 50-60 HZ power supply input
- I** Yellow/green cable



## Determining the end-of-travel points with micro limit switches

**A** Rod for determining the opening end-of-travel point

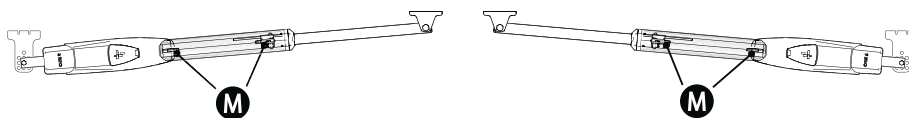
**C** Rod for determining the closing end-of-travel point



**M** Micro limit switches

The micro switches are positioned at the far ends of the travel range.

To move the microswitch 10 mm in either direction, turn the rod 20 times.



## Determining the opening end-of-travel points

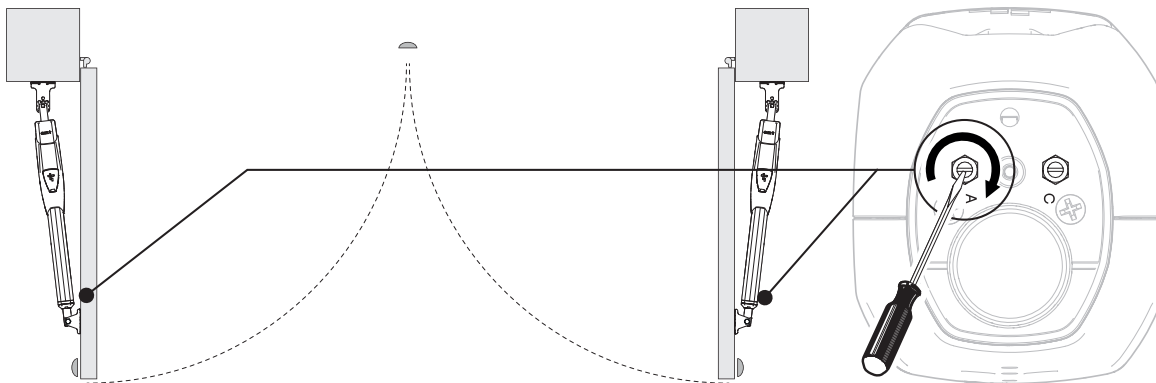
Release the gearmotor.

Open the gate manually.

Send an opening command.

At the same time, turn the rod for determining the opening end-of-travel point **CLOCKWISE** until the gearmotor stops.

Leave the rod nut loose to determine the end-of-travel points.



## Determining the closing end-of-travel points

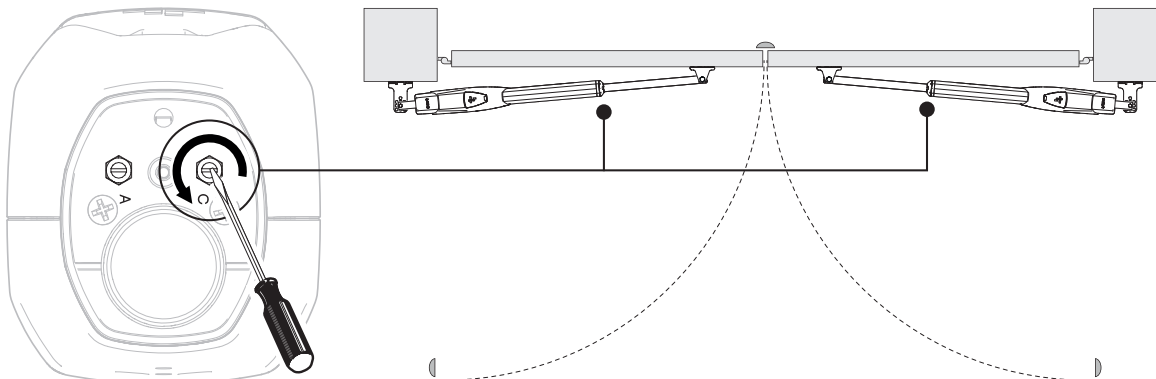
Release the gearmotor.

Close the gate manually.

Send a closing command.

At the same time, turn the rod for determining the closing end-of-travel point **ANTICLOCKWISE** until the gearmotor stops.

Leave the rod nut loose to determine the end-of-travel points.



## OUTWARDS OPENING

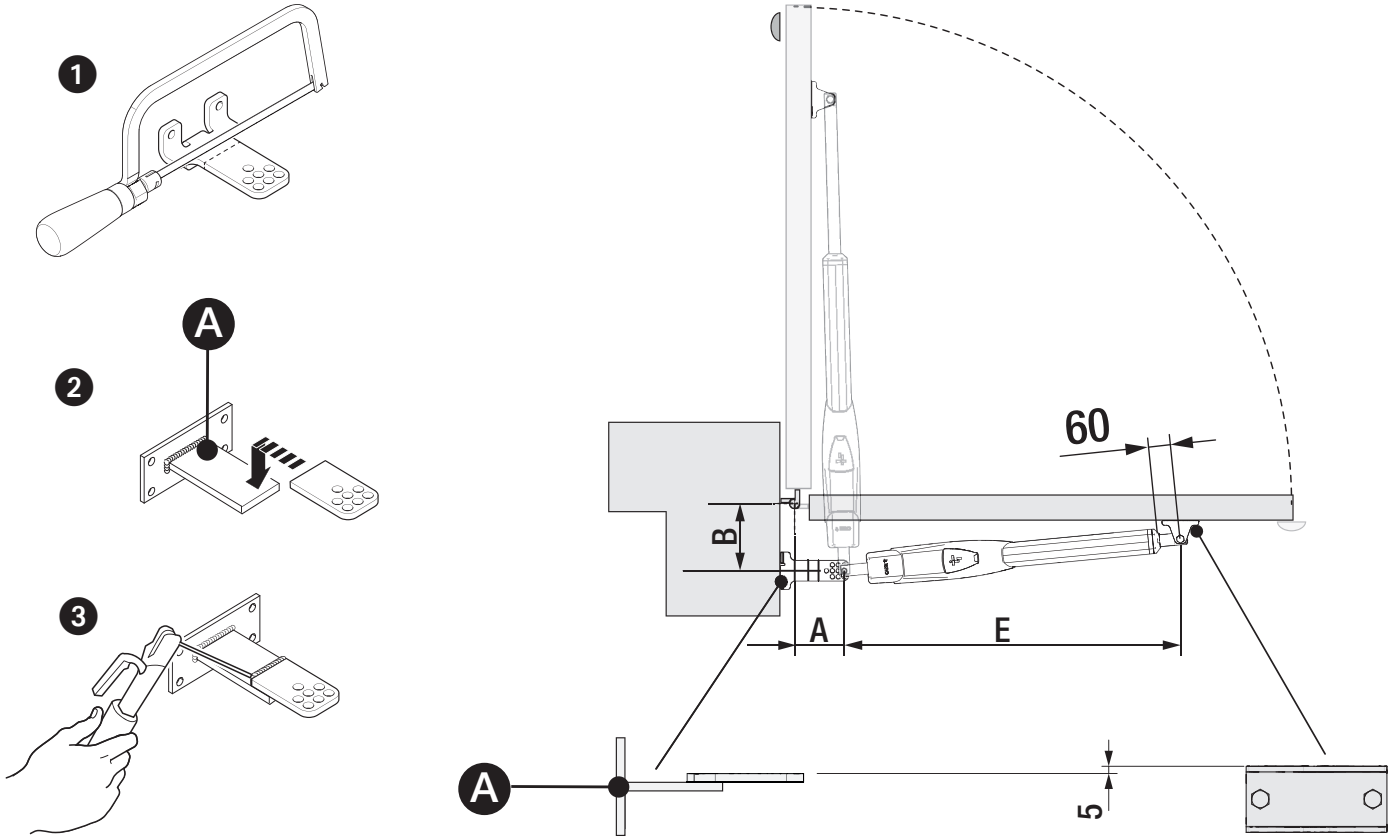
### Establishing the bracket fastening points

Close the gate manually.

First determine where the gate bracket needs to be positioned, then where the post bracket needs to be positioned.

Respect the values indicated in the table.

**A** Additional bracket (not included)



ATS30AGS      ATS30AGR

Gate-leaf opening (°)	A	B	E
90°	150	150	910

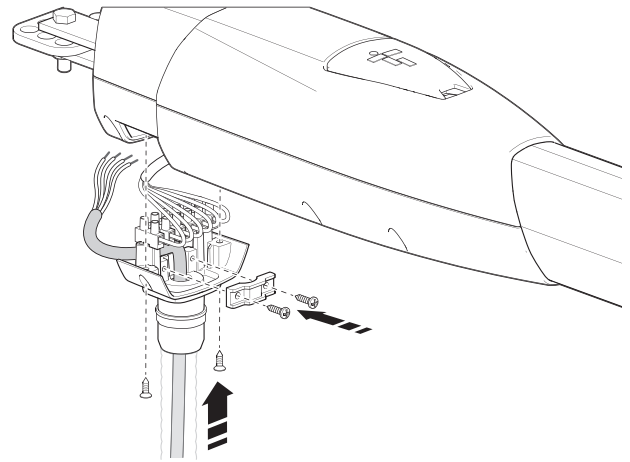
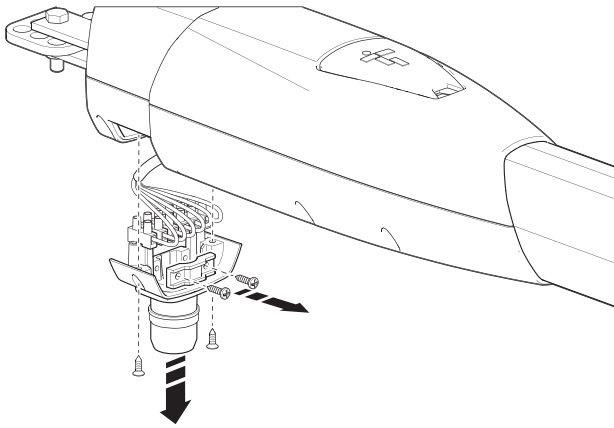
ATS50AGS      ATS50AGR

Gate-leaf opening (°)	A	B	E
90°	200	200	1030

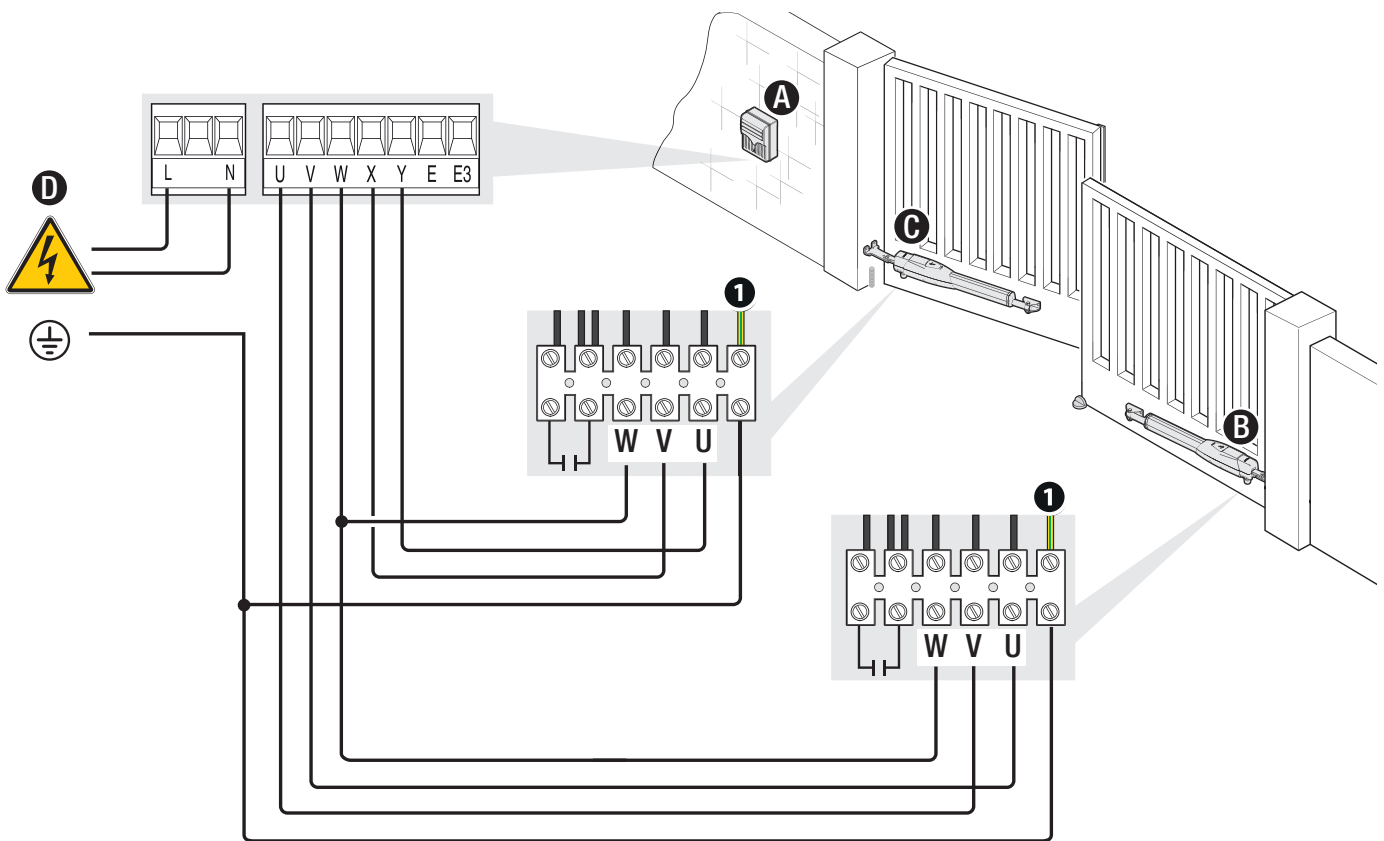
## Electrical connections

⚠ Before working on the control panel, disconnect the mains power supply and remove the batteries, if any.

📖 Remove the protective cover to access the terminal board.

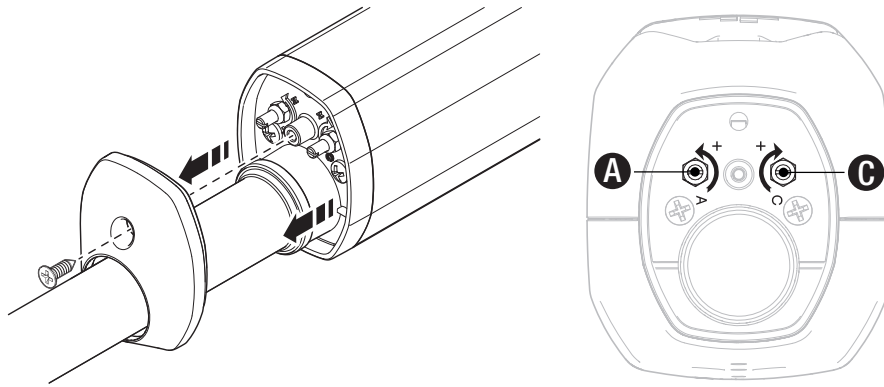


- A** Control panel
- B** Gearmotor delayed while opening
- C** Gearmotor delayed while closing
- D** 230 V AC - 50-60 HZ power supply input
- I** Yellow/green cable



## Determining the end-of-travel points with micro limit switches

- A** Rod for determining the closing end-of-travel point
- C** Rod for determining the opening end-of-travel point



### Determining the opening end-of-travel points

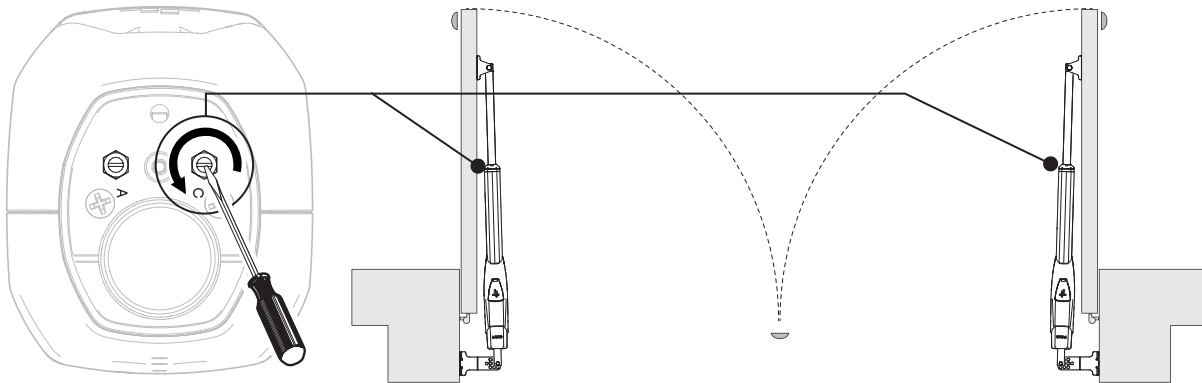
Release the gearmotor.

Open the gate manually.

Send an opening command.

At the same time, turn the rod for determining the opening end-of-travel point ANTICLOCKWISE until the gearmotor stops.

 Leave the rod nut loose to determine the end-of-travel points.



### Determining the closing end-of-travel points

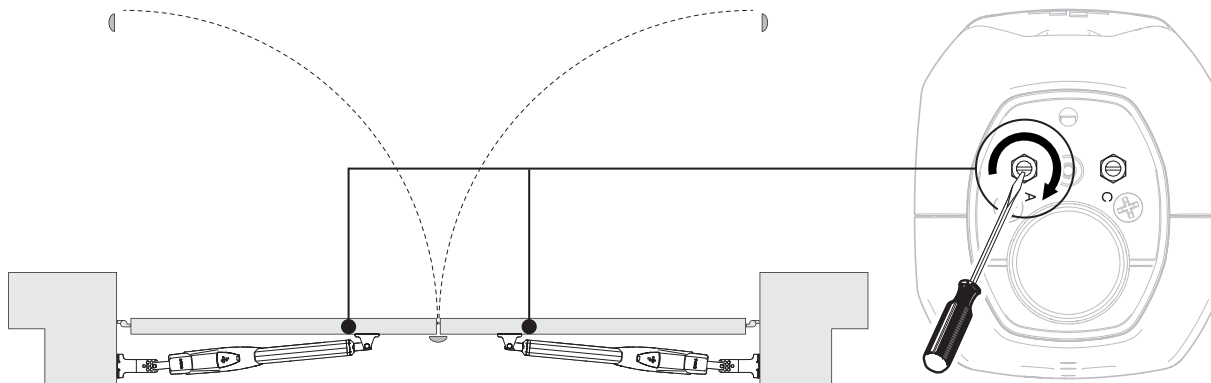
Release the gearmotor.

Close the gate manually.

Send a closing command.

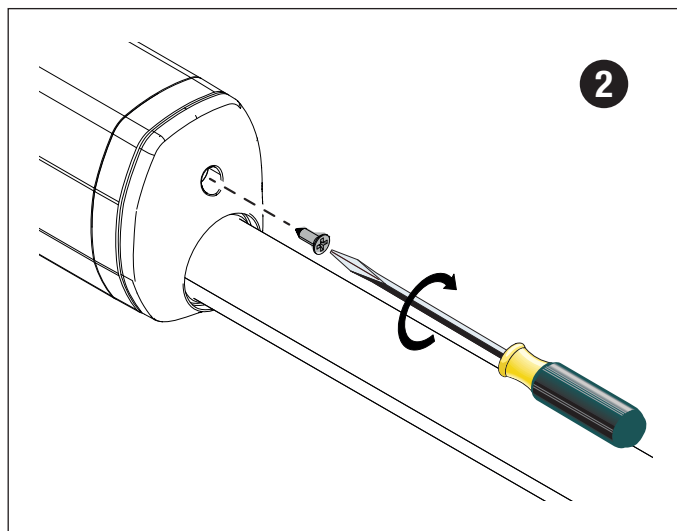
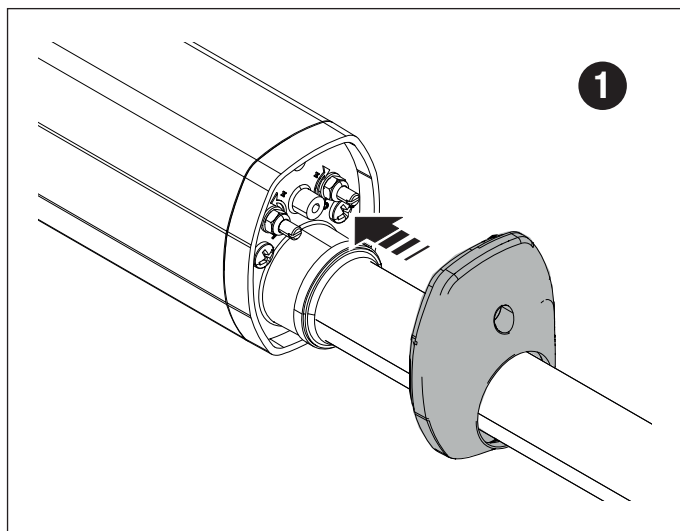
At the same time, turn the rod for determining the closing end-of-travel point CLOCKWISE until the gearmotor stops.

 Leave the rod nut loose to determine the end-of-travel points.





## FINAL OPERATIONS





## MCBF

Models	ATS30AGS-ATS30AGR	ATS50AGS-ATS50AGR
2 m - 800 kg	120000	-
2.5 m - 600 kg	110000	-
3 m - 400 kg	100000	-
2 m - 1000 kg	-	120000
2.5 m - 800 kg	-	110000
3 m - 600 kg	-	100000
4 m - 500 kg	-	85000
5 m - 400 kg	-	70000
Full leaf	-15%	-15%
Installation in windy area	-15%	-15%
Full leaf installed in windy area	-30%	-30%


 The percentages indicate how much the number of cycles should be reduced in relation to the type and number of accessories installed.

 Before carrying out any cleaning or maintenance, or replacing any parts, disconnect the device from the power supply.

 This document informs the installer of the checks that must be carried out during maintenance.

 If the system is not used for long periods of time, e.g. for installations at sites with seasonal closures, disconnect the power supply. When the power supply is reconnected, check the system is working correctly.

 For information on correct installation and adjustments, please see the product installation manual.

 For information on choosing products and accessories, please see our product catalogue.

**Every 20,000 cycles – or at least every 6 months of use – the following maintenance must be performed.**

Perform a general and complete check of the tightness of the nuts and bolts.

Grease all of the moving mechanical parts.

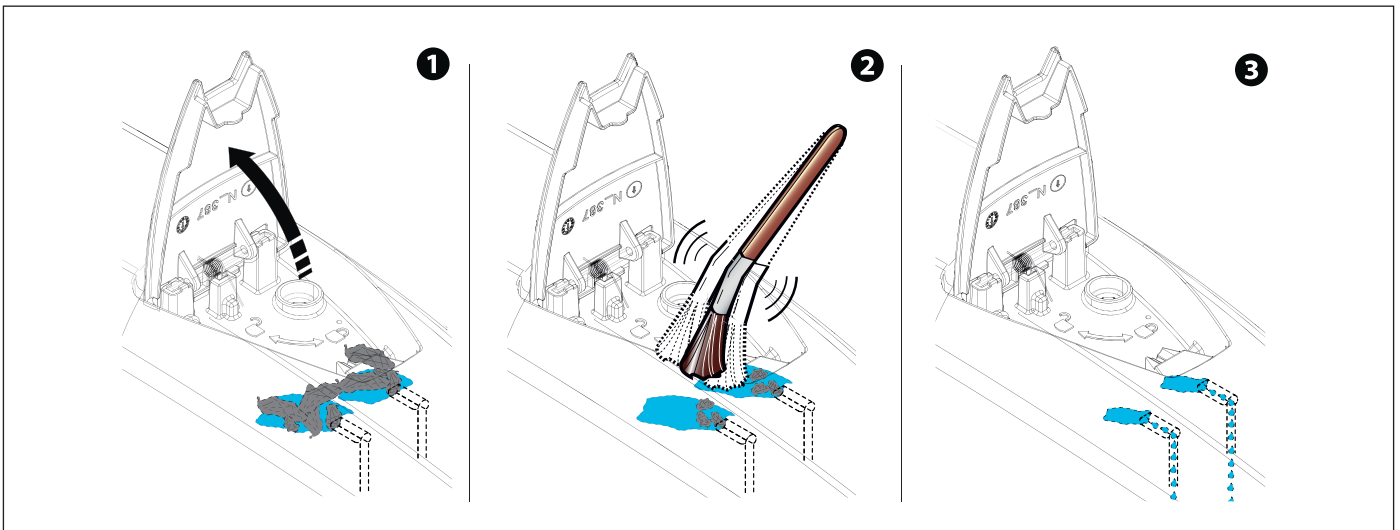
Check the warning and safety devices are working properly.

Check for any wear on the moving mechanical parts and check that they are working properly.

Check the release mechanism is working efficiently by performing a manoeuvre with the leaf free. The gate leaf must not be obstructed.

Check the cables are intact and connected correctly.

Open the release hatch and clean any dirt.





DICHIARAZIONE DI INCORPORAZIONE allegato / DECLARATION OF INCORPORATION annex / ERKLÄRUNG FÜR DEN EINBAU anhang / DECLARATION D'INCORPORATION annexe / DECLARACION DE INCORPORACION anexo / DECLARAÇÃO DE INCORPORAÇÃO anexo / DEKLARACJA WBUDOWANIA załącznik / INBOUWERKLARING bijlage IIB - 2006/42/CE

Fabbricante / Manufacturer / Hersteller / Fabricant / Fabricante / Fabricante / Wytwórca / Fabrikant

**Came S.p.a.**

Indirizzo / address / adresse / adresse / dirección / endereço / adres / adres  
Via Martiri della Libertà 15 - 31030 Dosson di Casier, Treviso - Italy

**CAME** 

DICHIARA CHE IL MOTORIDUTTORE PER CANCELLI A BATTENTE / DECLARES THAT THE GEARMOTOR FOR SWING GATE / ERKLÄRT DASS DIE TORÖFFNER FÜR FLÜGELTORE / DECLARE QUE LE MOTORÉDUCTEUR POUR PORTAILS A BATTANTS / DECLARA QUE LAS MOTORREDUCTOR PARA PUERTAS BATTIENTES / DECLARA QUE AS MOTORREDUTOR PARA PORTÕES A BATENTE / OSWADCZA ZE SIŁOWNIK DO BRAM SKRZYDLOWYCH / VERKLAART DAT DE MOTOR VOOR DRAAIHEKKEN

ATS50AGR  
ATS30AGR  
ATS30AGS  
ATS50AGS

E' CONFORME ALLE DISPOSIZIONI DELLE SEGUENTI DIRETTIVE / IT COMPLIES WITH THE PROVISIONS OF THE FOLLOWING DIRECTIVES / DEN VORGABEN DER FOLGENDEN RICHTLINIEN ENTSPRECHEN / IL EST CONFORMES AUX DISPOSITIONS DES DIRECTIVES SUIVANTES / CUMPLEN CON LAS DISPOSICIONES DE LAS SIGUIENTES DIRECTIVAS / ESTÃO DE ACORDO COM AS DISPOSIÇÕES DAS SEGUINTES DIRECTIVAS / SA ZGODNE Z POSTANOWIENIAMI NASTĘPUJĄCYCH DYREKTYW EUROPEJSKICH / VOLDOEN AAN DE VOORSCHRIFTEN VAN DE VOLGENDE RICHTLIJNEN:

- COMPATIBILITA' ELETTROMAGNETICA / ELECTROMAGNETIC COMPATIBILITY / ELEKTROMAGNETISCHE VERTRÄGLICHKEIT / COMPATIBILITE ELECTROMAGNETIQUE / COMPATIBILIDAD ELECTROMAGNETICA / COMPATIBILIDADE ELETTROMAGNETICA / KOMPATYBILNOŚCI ELEKTROMAGNETYCZNEJ / ELEKTROMAGNETISCHE COMPATIBILITEIT : 2014/30/EU.

Riferimento norme armonizzate ed altre norme tecniche / Refer to European regulations and other technical regulations / Harmonisierte Bezugsnormen und andere technische Vorgaben / Référence aux normes harmonisées et aux autres normes techniques / Referencia normas armonizadas y otras normas técnicas / Referência de normas harmonizadas e outras normas técnicas / Odnosne normy ujednolicone i inne normy techniczne / Geharmoniseerde en andere technische normen waarnaar is verwezen

EN 61000-6-2:2005+EC:2005+IS1:2005  
EN 61000-6-3:2007+A1:2011  
EN 62233:2008  
EN 60335-1:2012+AC:2014+A11:2014  
EN 60335-2-103:2015

RISPETTA I REQUISITI ESSENZIALI APPLICATI / MEET THE APPLICABLE ESSENTIAL REQUIREMENTS / DEN WESENTLIJCHEN AANGEWANDTEN ANFORDERUNGEN ENTSPRECHEN / RESPECTENT LES CONDITIONS REQUISES NECESSAIRES APPLIQUEES / CUMPLEN CON LOS REQUISITOS ESENCIALES APLICADOS / RESPETAM O REQUISITOS ESSENCIAIS APLICADOS / SPEŁNIAJA PODSTAWOWE WYMAGANIE WYRUNKI / VOLDOEN AAN DE TOEPASBARE MINIMUM EISEN:

1.1.3; 1.1.5; 1.2.1; 1.2.2; 1.3.2; 1.3.7; 1.3.8.1; 1.4.1; 1.4.2; 1.5.1; 1.5.6; 1.5.8; 1.5.9; 1.5.11; 1.5.13; 1.6.1; 1.6.3; 1.6.4; 1.7.1; 1.7.2; 1.7.4

PERSONA AUTORIZZATA A COSTITUIRE LA DOCUMENTAZIONE TECNICA PERTINENTE / PERSON AUTHORISED TO COMPILE THE RELEVANT TECHNICAL DOCUMENTATION / PERSON DIE BEVOLLMÄCHTIGT IST, DIE RELEVANTEN TECHNISCHEN UNTERLAGEN ZUSAMMENZUSTELLEN / DOCUMENTATION TECHNIQUE SPECIFIQUE D'AUTORISATION A CONSTRUIRE DE / PERSONA FACULTADA PARA ELABORAR LA DOCUMENTACIÓN TÉCNICA PERTINENTE / PESSOA AUTORIZADA A CONSTITUIR A DOCUMENTAÇÃO TÉCNICA PERTINENTE / OSOBA UPOWAZNIONA DO ZREDAGOWANIA DOKUMENTACJI TECHNICZNEJ / DEGENE DIE GEMACHTIGD IS DE RELEVANTE TECHNISCHE DOCUMENTEN SAMEN TE STELLEN.

**CAME S.p.a.**

La documentazione tecnica pertinente è stata compilata in conformità all'allegato VIIB. / The pertinent technical documentation has been drawn up in compliance with attached document VIIB. / Die relevante technische Dokumentation wurde entsprechend der Anlage VIIB ausgestellt. / La documentation technique spécifique a été remplie conformément à l'annexe IIB / La documentación técnica pertinente ha sido redactada en cumplimiento con el anexo VIIB. / A documentação técnica pertinente foi preenchida de acordo com o anexo VIIB. / Odnosna dokumentacja techniczna została zredagowana zgodnie z załącznikiem VIIB. / De technische documentatie tezake is opgesteld in overeenstemming met de bijlage VIIB.

CAME S.p.a. si impegna a trasmettere, in risposta a una richiesta adeguatamente motivata dalle autorità nazionali, informazioni pertinenti sulle quasi macchine, e / Came S.p.A., following a duly motivated request from the national authorities, undertakes to provide information related to the quasi machines, and / Die Firma Came S.p.A. verpflichtet sich auf eine angemessen motivierte Anfrage der staatlichen Behörden Informationen über die unvollständigen Maschinen, zu übermitteln, und / Came S.p.A. s'engage à transmettre, en réponse à une demande bien fondée de la part des autorités nationales, les renseignements relatifs aux quasi machines / Came S.p.A. se compromete a transmitir, como respuesta a una solicitud adecuadamente fundada por parte de las autoridades nacionales, informaciones relacionadas con las cuasimáquinas / Came S.p.A. compromete-se em transmitir, em resposta a uma solicitação motivada apropriadamente pelas autoridades nacionais, informações pertinentes às partes que compoñiam máquinas / Came S.p.A. zobowiązuje się do udzielenia informacji dotyczących maszyn nieukończonych na odpowiednio uмотywowana prośbie, złożona przez kompetentne organy państwowe / Came S.p.A. verbindt zich ertoe om op met redenen omkleed verzoek van de nationale autoriteiten de relevante informatie voor de niet voltooidde machine te verstrekken.

**VIETA / FORBIDS / VERBIJDET / INTERDIT / PROHIBE / PROIBE / ZABRANIA SIE / VERBIJDET**

la messa in servizio finché la macchina finale in cui deve essere incorporata non è stata dichiarata conforme, se del caso alla 2006/42/CE. / commissioning of the above mentioned until such moment when the final machine into which they must be incorporated, has been declared compliant, if pertinent, to 2006/42/CE / die Inbetriebnahme bevor die „Endmaschine“ in die die unvollständige Maschine eingebaut wird, als konform erklärt wurde, gegebenenfalls gemäß der Richtlinie 2006/42/EU. / la mise en service tant que la machine finale dans laquelle elle doit être incorporée n'a pas été déclarée conforme, le cas échéant, à la norme 2006/42/CE. / la puesta en servicio hasta que la máquina final en la que será incorporada no haya sido declarada de conformidad de acuerdo a la 2006/42/CE / a colocação em funcionamento, até que a máquina final, onde devam ser incorporadas, não for declarada em conformidade, se de acordo com a 2006/42/CE. / Uruchomienie urządzenia do czasu, kiedy maszyna, do której ma być wbudowany, nie zostanie oceniona jako zgodna z wymogami dyrektywy 2006/42/WE, jeśli taka procedura była konieczna. / deze in werking te stellen zolang de eindmachine waarin de niet voltooidde machine moet worden ingebouwd in overeenstemming is verklaard, indien toepasselijk met de richtlijn 2006/42/EG.

Dosson di Casier (TV)  
17 Dicembre / December / Dezember /  
Décembre / Diciembre / Dezembro /  
Grudzień / December 2019

Direttore Tecnico / Chief R&D Officer / Technischer Direktor /  
Directeur Technique / Director Técnico / Diretor Técnico /  
Dyrektor Techniczny / Technisch Directeur  
(Special Proxy Holder)

Antonio Milici



Fascicolo tecnico a supporto / Supporting technical dossier / Unterstützung technische Dossier / Soutenir dossier technique / Apoyo expediente técnico / Apoiar dossier técnico / Wspieranie dokumentacji technicznej / Ondersteunende technische dossier: 801MP-0100

**Came S.p.a.**

Via Martiri della Libertà, 15 - 31030 Dosson di Casier - Treviso - Italy - Tel. (+39) 0422 4940 - Fax (+39) 0422 4941  
info@came.it - www.came.com

Cap. Soc. 1.610.000,00 € - C.F. e P.I. 03481280265 - VAT IT 03481280265 - REA TV 275359 - Reg Imp. TV 03481280265

**CAME** 

**CAME.COM**

**CAME S.P.A.**

Via Martiri della Libertà, 15  
31030 Dosson di Casier  
Treviso - Italy  
Tel. (+39) 0422 4940  
Fax (+39) 0422 4941